

- Note:
1. CB1 = MAINS INPUT MCB 2P WITH AUX
  2. CB2 = BYPASS INPUT MCB 2P WITH AUX
  3. CB3 = BATTERY MCB 2P WITH AUX
  4. CB4-CB6 = INVERTER I/P MCB 2P WITH AUX
  5. CB7 = OUTPUT MCB 2P WITH AUX

2. SPD = AC I/P SURGE ARRESTOR
3. SH1 = DC SHUNT (BATTERY)
4. F1 = HRC FUSE 2A
5. X1-X4 = TERMINAL BLOCKS
6. MBS = MANUAL BYPASS SWITCH (BREAK BEFORE MAKE)
7. CALCULATIONS BASED ON: 0.8PF LOAD

**ALARM CONFIGURATION**

1. AC MAINS FAIL ALARM
2. CHARGER FAIL ALARM
3. HIGH/LOW BATT. VOLT ALARM
4. INVERTER FAIL ALARM
5. DC EARTH FAULT
6. COMMON ALARM

REV	DESCRIPTION	DATE	DRAWN	CHECKED	APPROVED
1	FOR CUSTOMER APPROVAL	10-09-2015	YP	KU	-
2	FOR CUSTOMER APPROVAL	10-11-2015	YP	KU	KU
3	-	-	-	-	-
4	-	-	-	-	-
5	-	-	-	-	-

**REVISION HISTORY**

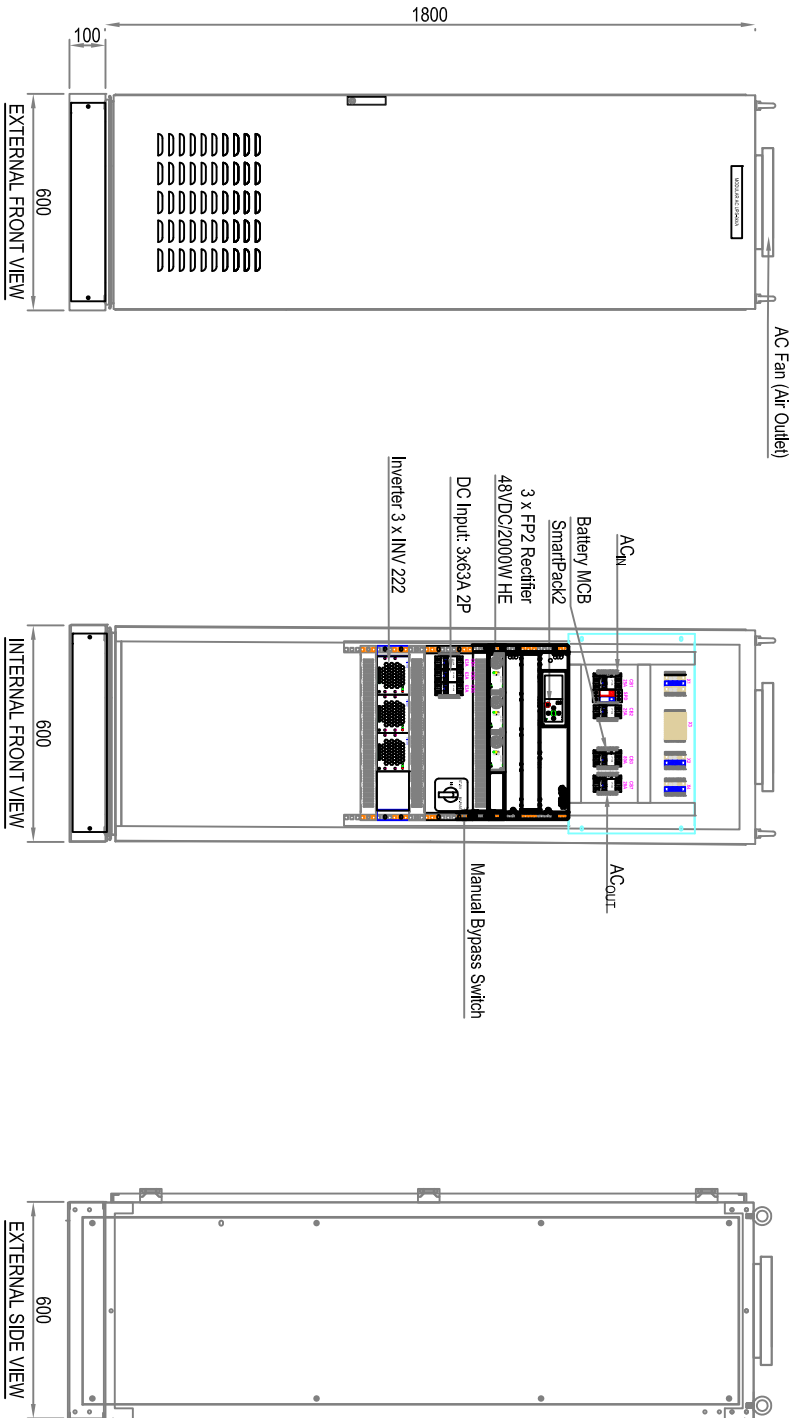
CLIENT:	ARTC	DESIGNED:	YP	DRAWN:	YP
APPROVED:	KU	DATE:	10/11/2015		
DESCRIPTION:		SINGLE LINE DIAGRAM OF AC UPS			
AC UPS - 3KVA		I/P 240VAC 50HZ - O/P 240VAC 50HZ			
DRAWING NO.:	IR15052	SID	3KVA	240VAC	IN-OUT
PART NO.:	A141091.000				

Copyright ETEK All Rights Reserved  
**ETEK**  
 ETEK POWER PTE LTD  
 NO.3 TERANG GARDENS CRESCENT  
 SINGAPORE - 008920  
 TEL: 6773 2326  
 FAX: 6775 3002  
 THICKNESS: N/A

SCALE: N/A  
 MATERIAL: N/A  
 FINISHING: N/A

UNIT: mm  
 PROJECTION: 1st Angle

REVISION: 2  
 PAGE: 1 of 2



- Note:
1. Cabinet Front Access
  2. 120° Door Opening (Approx)
  3. Ventilation = Front
  4. Type/Protection = Indoor/IP31
  5. Cable Entry = TOP
  6. Name Plate = Engraving
  7. Mounting Hole Dimm. = Ø12mm
  8. Finishing =RAL 7035
  9. Internal GA is subject to change

REVISION HISTORY

REV	DESCRIPTION	DATE	DRAWN	CHECKED	APPROVED
1	FOR CUSTOMER APPROVAL	10-09-2015	YP	KU	-
2	FOR CUSTOMER APPROVAL	10-11-2015	YP	KU	KU
3	-	-	-	-	-
4	-	-	-	-	-
5	-	-	-	-	-

CLIENT	ARTC	DESIGNED	YP	DRAWN	YP
		APPROVED	KU	DATE	10/11/2015
DESCRIPTION	General Arrangement Of AC UPS - 3KVA				
	I/P 240VAC 50HZ - O/P 240VAC 50HZ				
DRAWING NO.	IR15052 GA 3KVA 240VAC IN-OUT	PART NO.	A141091.000		

Copyright ETEK All Rights Reserved

**ETEK POWER PTE LTD**

NO.3 TERBANI GARDENS CRESCENT SINGAPORE - 008920

TEL: 6773 2226 FAX: 6775 3002

MATERIAL: N/A THICKNESS: 1.5

FINISHING: RAL7035

SCALE: NTS

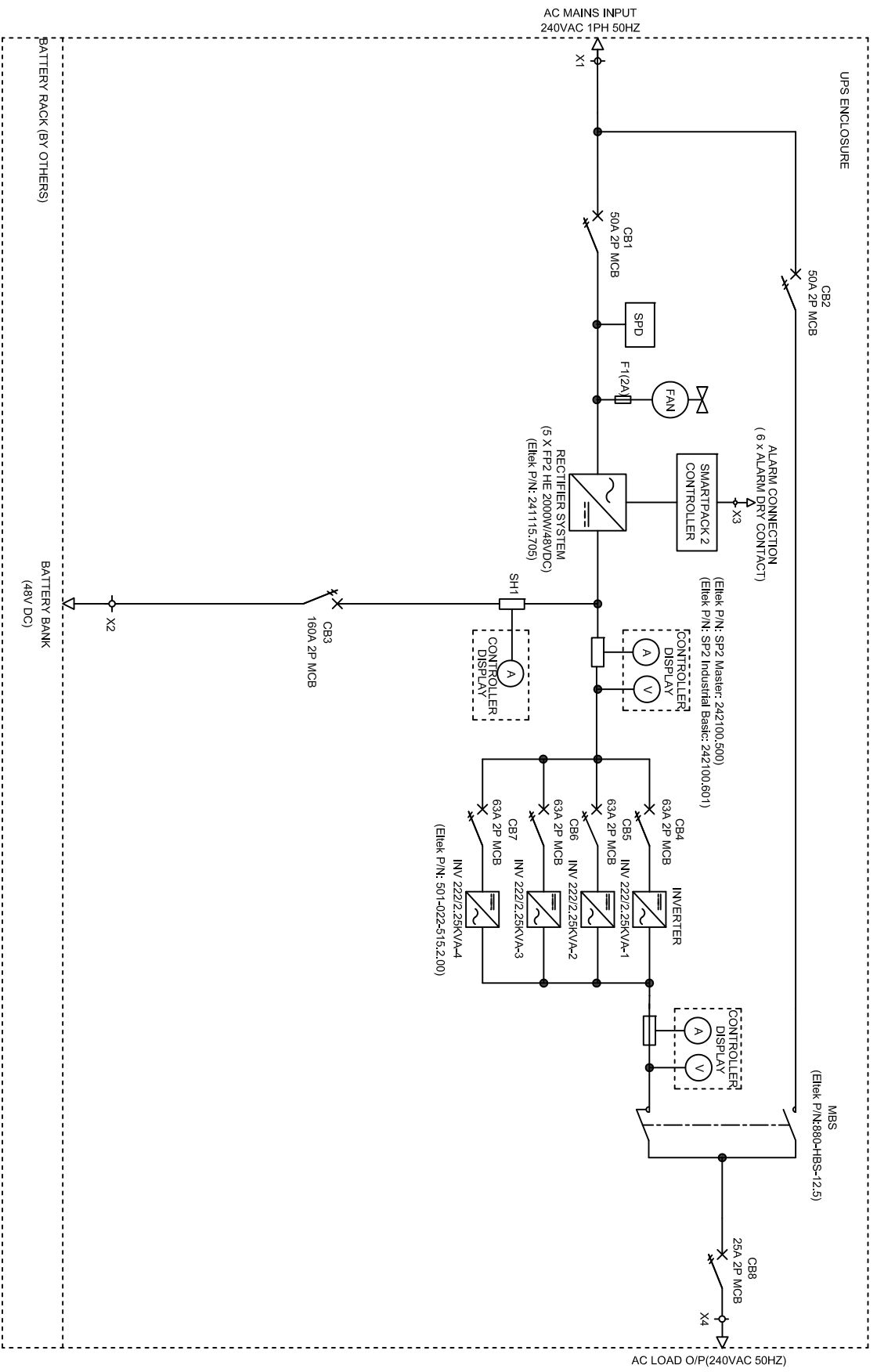
UNIT: mm

PROJECTION: 1st Angle

FORMAT: A3

REVISION: 2

PAGE: 2 of 2



Note:

1. CB1 = MAINS INPUT MCB 2P WITH AUX
- CB2 = BYPASS INPUT MCB 2P WITH AUX
- CB3 = BATTERY MCB 2P WITH AUX
- CB4-CB7 = INVERTER I/P MCB 2P WITH AUX
- CB8 = OUTPUT MCB 2P WITH AUX
2. SPD = AC I/P SURGE ARRESTOR
3. SH1 = DC SHUNT (BATTERY)
4. F1 = HRC FUSE 2A
5. X1-X4 = TERMINAL BLOCKS
6. MBS = MANUAL BYPASS SWITCH (BREAK BEFORE MAKE)
7. TX1 = OUTPUT TRANSFORMER
8. CALCULATIONS BASED ON: 0.8PFL LOAD

ALARM CONFIGURATION

1. AC MAINS FAIL ALARM
2. CHARGER FAIL ALARM
3. HIGHLOW BATT. VOLT ALARM
4. INVERTER FAIL ALARM
5. DC EARTH FAULT
6. COMMON ALARM

REV	DESCRIPTION	DATE	DRAWN	CHECKED	APPROVED
1	FOR CUSTOMER APPROVAL	11-09-2015	YP	-	-
2	FOR CUSTOMER APPROVAL	10-11-2015	YP	KU	KU
3	-	-	-	-	-
4	-	-	-	-	-
5	-	-	-	-	-

REVISION HISTORY

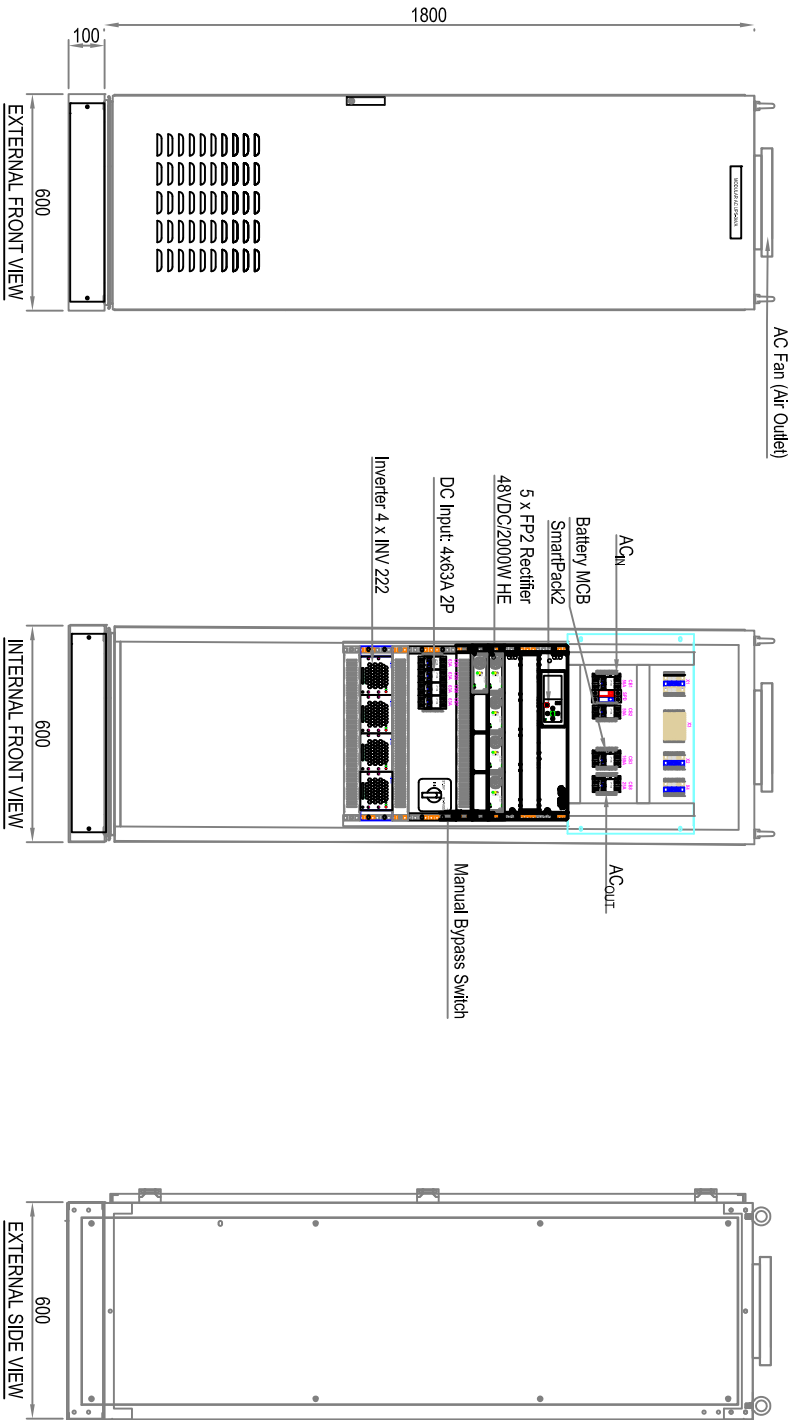
CLIENT ARTC	DESIGNED: YP	DRAWN: YP
APPROVED: KU	DATE: 10/11/2015	
DESCRIPTION SINGLE LINE DIAGRAM OF AC UPS		
AC UPS - 8KVA		
I/P 240VAC 50HZ - O/P 240VAC 50HZ		
DRAWING NO. IR15052 SLD 8KVA 240VAC IN - OUT	PART NO. A141092.000	

Copyright ETEK All Rights Reserved  
**ETEK**  
 ETEK POWER PTE LTD  
 NO.3 TERAN GARDENS CRESCENT  
 SINGAPORE - 008920  
 TEL: 6773 2226  
 FAX: 6775 3002

MATERIAL: N/A  
 FINISHING: N/A  
 THICKNESS: N/A

SCALE: NTS  
 FORMAT: A3  
 UNIT: mm  
 PROJECTION: 1st Angle

REVISION: 2  
 PAGE: 1 of 2



- Note:
1. Cabinet Front Access
  2. 120° Door Opening (Approx)
  3. Ventilation = Front
  4. Type/Protection = Indoor/IP31
  5. Cable Entry = TOP
  6. Name Plate = Engraving
  7. Mounting Hole Dimm. = Ø12mm
  8. Finishing =RAL 7035
  9. Internal GA is subject to change

REV	DESCRIPTION	DATE	DRAWN	CHECKED	APPROVED
1	FOR CUSTOMER APPROVAL	11-09-2015	YP	-	-
2	FOR CUSTOMER APPROVAL	10-11-2015	YP	KU	KU
3	-	-	-	-	-
4	-	-	-	-	-
5	-	-	-	-	-

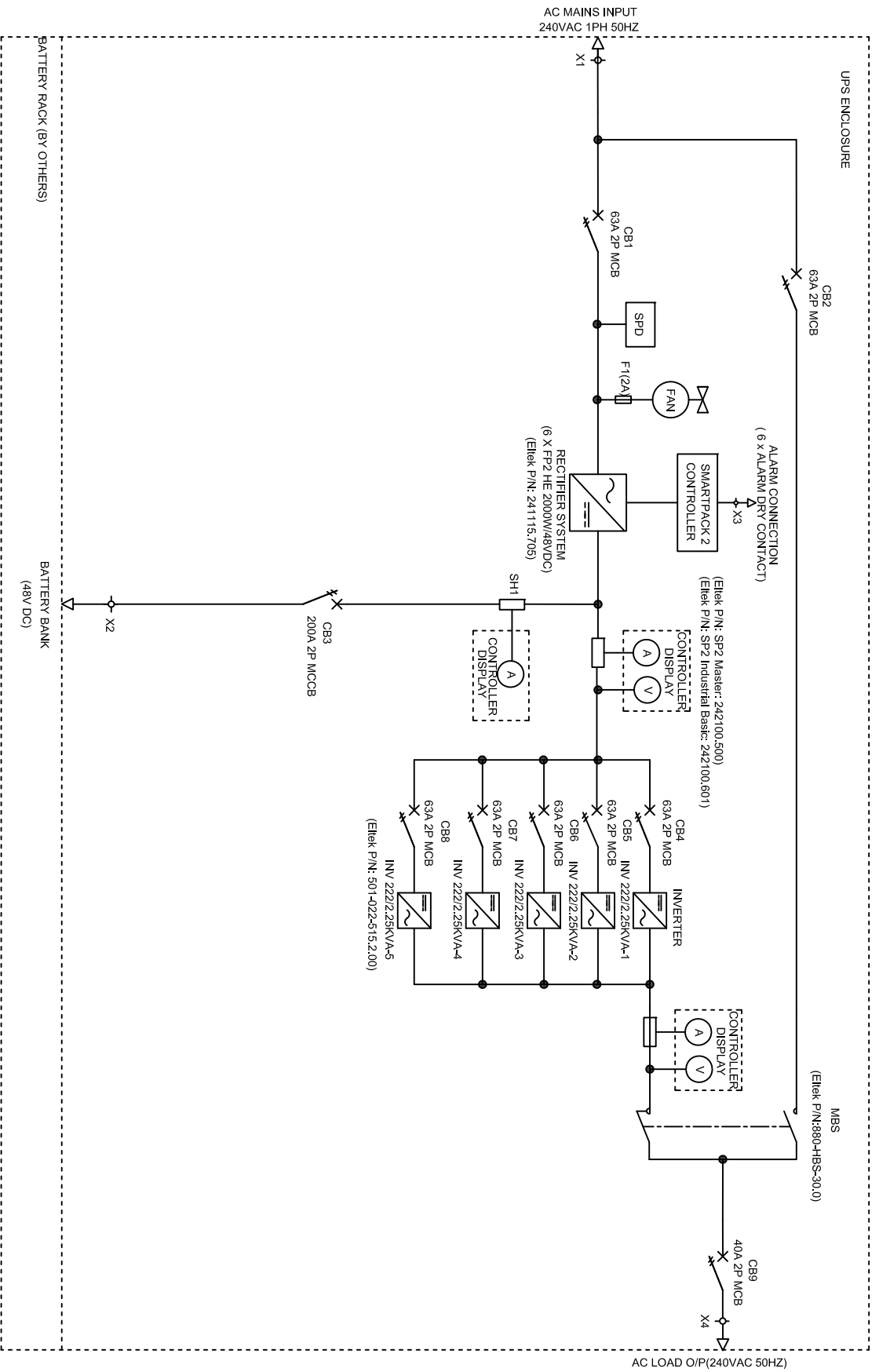
REVISION HISTORY

CLIENT	ARTC	DESIGNED	YP	DRAWN	YP
		APPROVED	KU	DATE	10/11/2015
DESCRIPTION		General Arrangement of AC UPS - 6kVA			
I/P 240VAC 50HZ - O/P 240VAC 50HZ		DRAWING NO. IRI5052 GA 6kVA 240VAC IN - OUT			
PART NO. A141092.000		SCALE NTS			
MATERIAL N/A		FINISHING: RAL7035			
SINGAPORE - 008920		UNIT mm			
TEL: 6773 2226		REVISION 2			
FAX: 6775 5002		PAGE 2 of 2			
THICKNESS: 1.5		PROJECTION			

Copyright ETEK All Rights Reserved

**ETEK**

ETEK POWER PTE LTD  
 NO.3 TERBANG GARDENS CRESCENT  
 SINGAPORE - 008920



Note:

1. CB1 = MAINS INPUT MCB 2P WITH AUX
- CB2 = BYPASS INPUT MCB 2P WITH AUX
- CB3 = BATTERY MCB 2P WITH AUX
- CB4-CB8 = INVERTER I/P MCB 2P WITH AUX
- CB9 = OUTPUT MCB 2P WITH AUX
2. SPD = AC I/P SURGE ARRESTOR
3. SH1 = DC SHUNT (BATTERY)
4. F1 = HRC FUSE 2A
5. X1-X4 = TERMINAL BLOCKS
6. MBS = MANUAL BYPASS SWITCH (BREAK BEFORE MAKE)
7. CALCULATIONS BASED ON: 0.8PF LOAD

ALARM CONFIGURATION

1. AC MAINS FAIL ALARM
2. CHARGER FAIL ALARM
3. HIGH/LOW BATT. VOLT ALARM
4. INVERTER FAIL ALARM
5. DC EARTH FAULT
6. COMMON ALARM

REV	DESCRIPTION	DATE	DRAWN	CHECKED	APPROVED
1	FOR CUSTOMER APPROVAL	11-09-2015	YP	-	-
2	FOR CUSTOMER APPROVAL	10-11-2015	YP	KU	KU
3	-	-	-	-	-
4	-	-	-	-	-
5	-	-	-	-	-

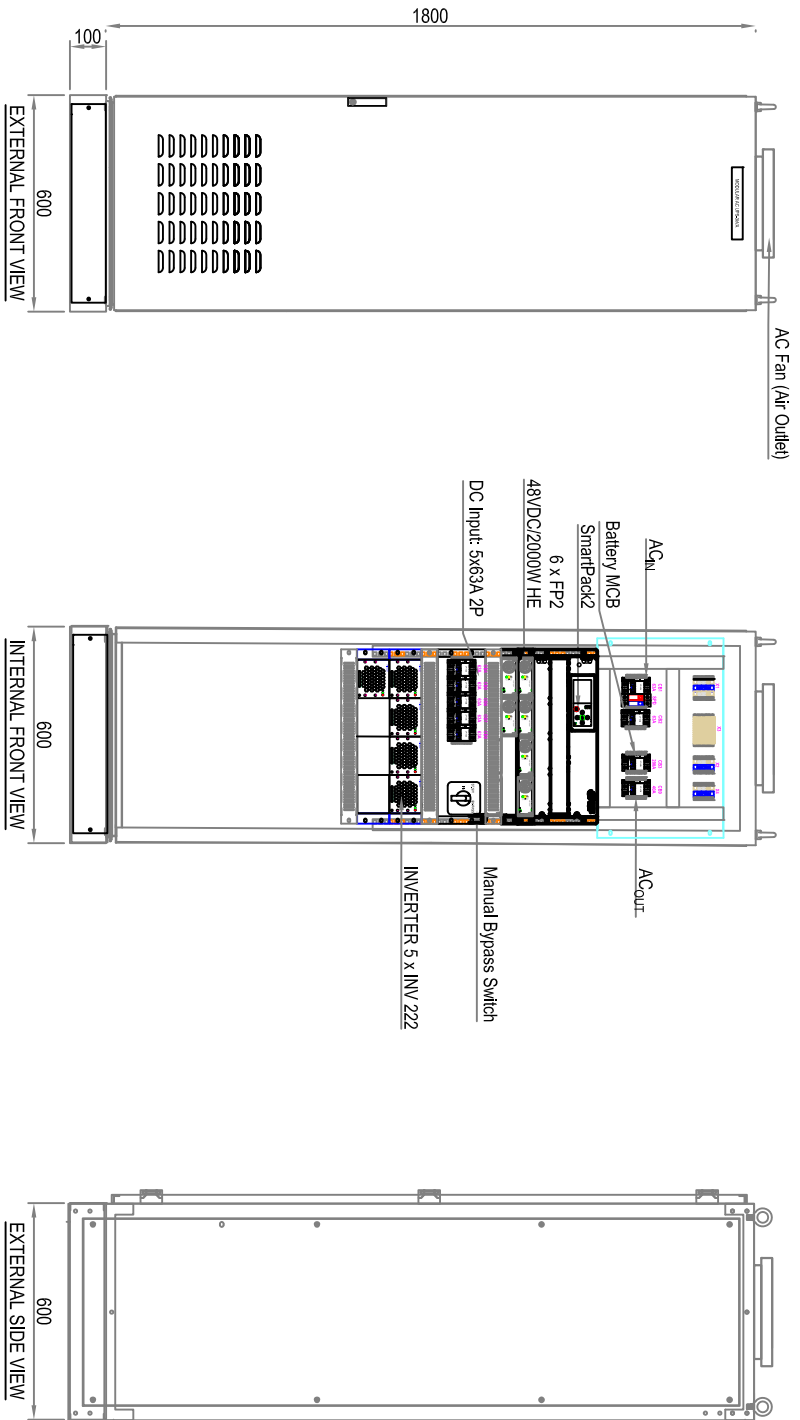
REVISION HISTORY

CLIENT <b>ARTC</b>	DESIGNED: YP	DRAWN: YP
APPROVED: KU	DATE: 10/11/2015	
DESCRIPTION SINGLE LINE DIAGRAM OF AC UPS		
AC UPS - 9kVA		
I/P 240VAC 50HZ - O/P 240VAC 50HZ		
DRAWING NO. <b>IR15052</b>	SLD	9kVA 240VAC IN-OUT
PART NO. <b>A141093.000</b>	REVISION <b>2</b>	PAGE <b>1 of 2</b>



Copyright ETEK All Rights Reserved  
**ETEK POWER PTE LTD**  
 NO.3 TERAN GARDENS CRESCENT  
 SINGAPORE - 008920  
 TEL: 6773 2286  
 FAX: 6775 3002

MATERIAL: N/A  
 FINISHING: N/A  
 SCALE: NTS  
 FORMAT: A3  
 UNIT: mm  
 PROJECTION: 1st angle



- Note:
1. Cabinet Front Access
  2. 120° Door Opening (Approx)
  3. Ventilation = Front
  4. Type/Protection = Indoor/IP31
  5. Cable Entry = TOP
  6. Name Plate = Engraving
  7. Mounting Hole Dimm. =  $\varnothing 12\text{mm}$
  8. Finishing =RAL 7035
  9. Internal GA is subject to change

REV	DESCRIPTION	DATE	DRAWN	CHECKED	APPROVED
1	FOR CUSTOMER APPROVAL	11-09-2015	YP	-	-
2	FOR CUSTOMER APPROVAL	10-11-2015	YP	KU	KU
3	-	-	-	-	-
4	-	-	-	-	-
5	-	-	-	-	-

REVISION HISTORY

CLIENT	ARTC	DESIGNED:	YP	DRAWN:	YP
		APPROVED:	KU	DATE:	10/11/2015
DESCRIPTION	General Arrangement of AC UPS - 9kVA				
	I/P 240VAC 50HZ - O/P 240VAC 50HZ				
DRAWING NO.	IR15052 GA 9kVA 240VAC IN-OUT	PART NO.	A141093.000		



Copyright ETEK All Rights Reserved

ETEK POWER PTE LTD  
NO.3 TERBANI GARDENS CRESCENT  
SINGAPORE - 008920

TEL: 6773 2226

FAX: 6775 5002

MATERIAL: N/A

THICKNESS: 1.5

FINISHING: RAL7035

SCALE: NTS

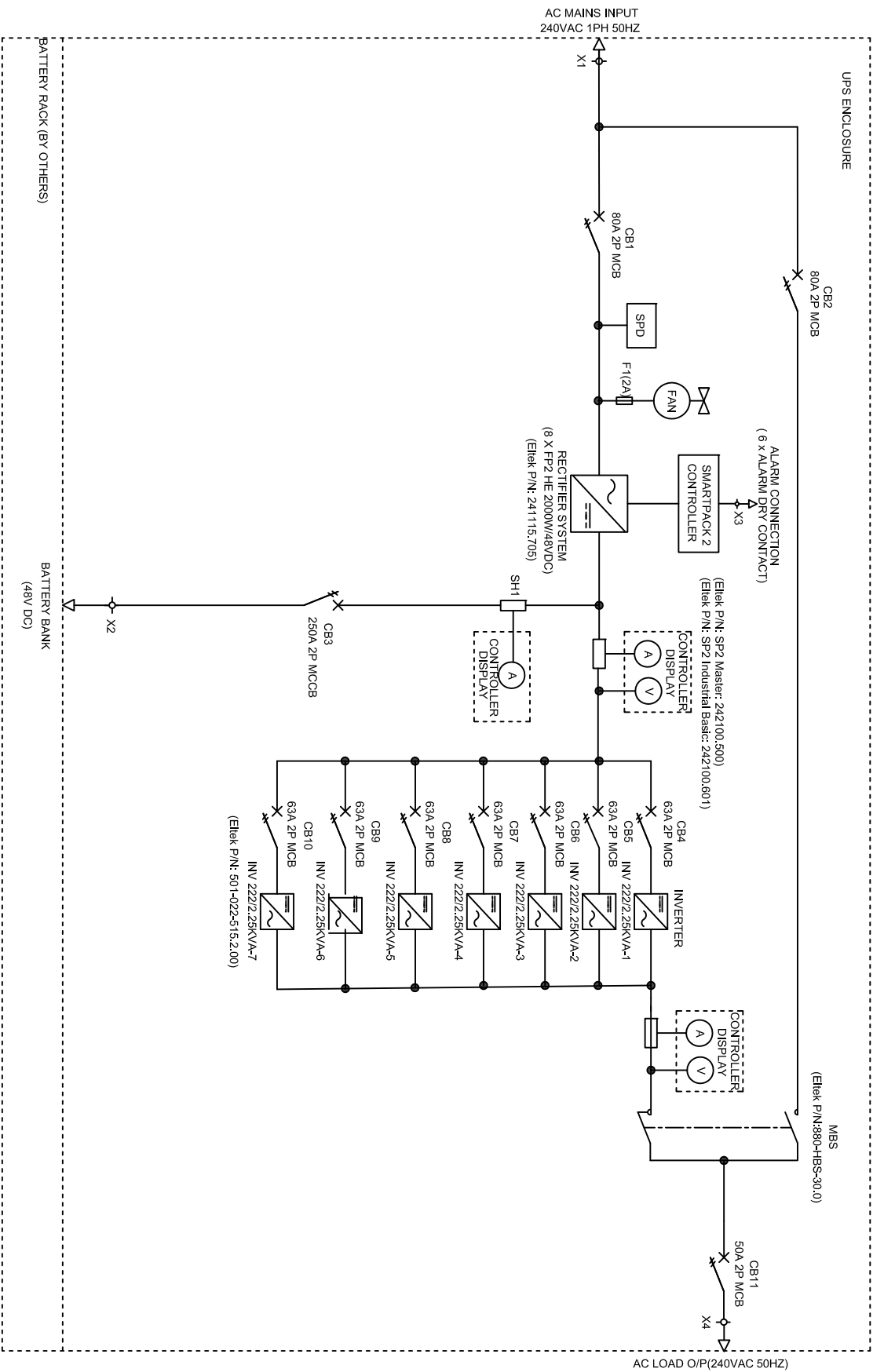
UNIT: mm

FORMAT: A3

PROJECTION: 1st Angle

REVISION: 2

PAGE: 2 of 2



Note:

1. CB1 = MAINS INPUT MCB 2P WITH AUX
- CB2 = BYPASS INPUT MCB 2P WITH AUX
- CB3 = BATTERY MCB 2P WITH AUX
- CB4-CB10 = INVERTER I/P MCB 2P
- CB11 = OUTPUT MCB 2P WITH AUX
2. SPD = AC I/P SURGE ARRESTOR
3. SH1 = DC SHUNT (BATTERY)
4. F1 = HRC FUSE 2A
5. X1-X4 = TERMINAL BLOCKS
6. MBS = MANUAL BYPASS SWITCH (BREAK BEFORE MAKE)
7. CALCULATIONS BASED ON: 0.8PF LOAD

ALARM CONFIGURATION

1. AC MAINS FAIL ALARM
2. CHARGER FAIL ALARM
3. HIGH/LOW BATT. VOLT ALARM
4. INVERTER FAIL ALARM
5. DC EARTH FAULT
6. COMMON ALARM

REV	DESCRIPTION	DATE	DRAWN	CHECKED	APPROVED
1	FOR CUSTOMER APPROVAL	11-09-2015	YP	-	-
2	FOR CUSTOMER APPROVAL	10-11-2015	YP	KU	KU
3	-	-	-	-	-
4	-	-	-	-	-
5	-	-	-	-	-

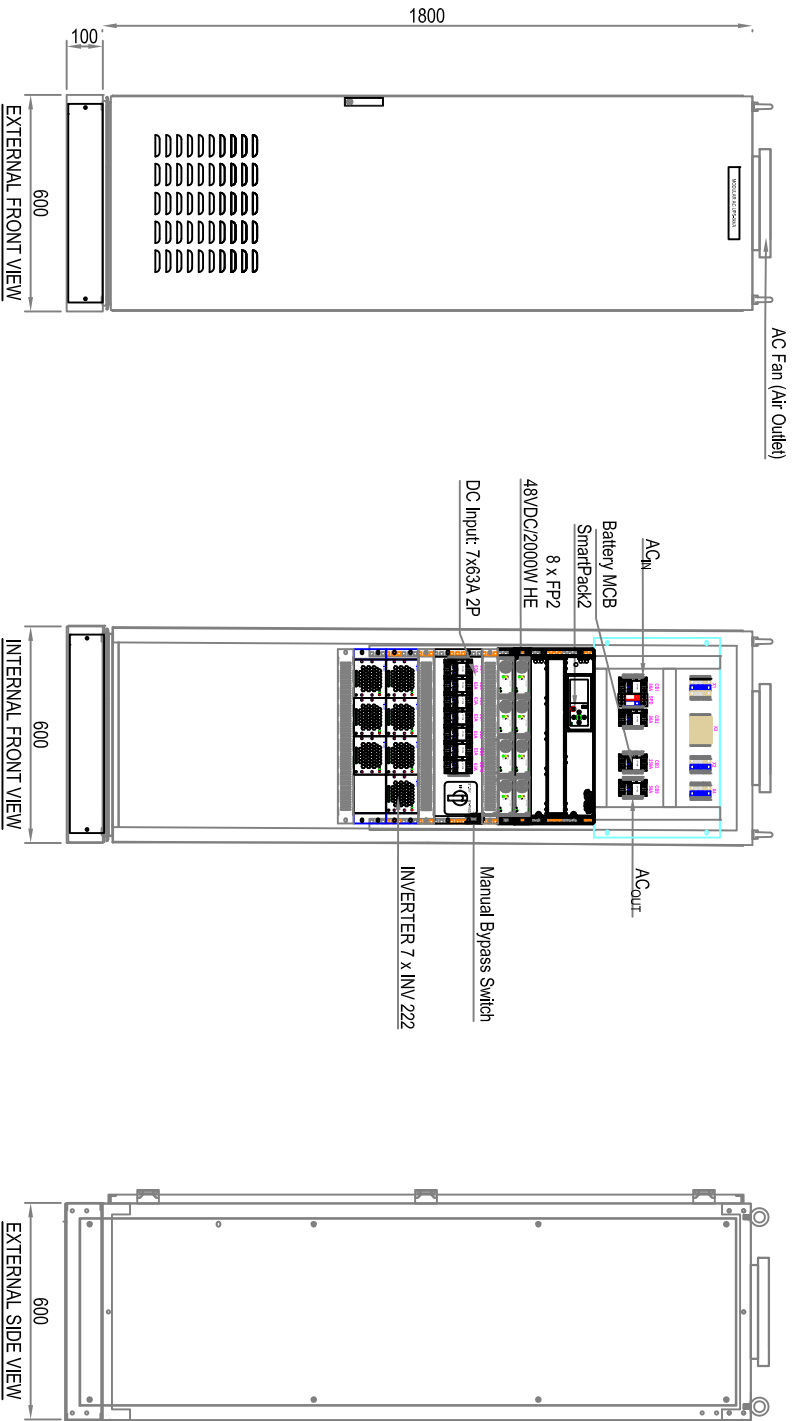
REVISION HISTORY

CLIENT ARTC	DESIGNED: YP	DRAWN: YP
APPROVED: KU	DATE: 10/11/2015	
DESCRIPTION SINGLE LINE DIAGRAM OF AC UPS		
AC UPS - 12kVA		
I/P 240VAC 50HZ - O/P 240VAC 50HZ		
DRAWING NO. IR15052	SLD	12kVA 240VAC IN-OVT
PART NO. A141094.000	REVISION 2	PAGE 1 of 2



Copyright ETEK All Rights Reserved  
**ETEK POWER PTE LTD**  
 NO.3 TERBANI GARDENS CRESCENT  
 SINGAPORE - 008920  
 TEL: 6773 2286  
 FAX: 6775 9002

MATERIAL: N/A  
 FINISHING: N/A  
 SCALE: NTS  
 FORMAT: A3  
 UNIT: mm  
 PROJECTION: 1st angle



- Note:
1. Cabinet Front Access
  2. 120° Door Opening (Approx)
  3. Ventilation = Front
  4. Type/Protection = Indoor/IP31
  5. Cable Entry = TOP
  6. Name Plate = Engraving
  7. Mounting Hole Dimm. = Ø12mm
  8. Finishing =RAL 7035
  9. Internal GA is subject to change

REV	DESCRIPTION	DATE	DRAWN	CHECKED	APPROVED
1	FOR CUSTOMER APPROVAL	11-09-2015	YP	-	-
2	FOR CUSTOMER APPROVAL	10-11-2015	YP	KU	KU
3	-	-	-	-	-
4	-	-	-	-	-
5	-	-	-	-	-

REVISION HISTORY

CLIENT	ARTC	DESIGNED:	YP	DRAWN:	YP
ARTC		APPROVED:	KU	DATE:	10/11/2015
DESCRIPTION	General Arrangement of AC UPS - 12kVA I/P 240VAC 50HZ - O/P 240VAC 50HZ				
DRAWING NO.	IR15052 GA 12kVA 240VAC IN-OUT	PART NO.	A141094.000		
<p>Copyright ETEK All Rights Reserved  <b>ETEK POWER PTE LTD</b>          NO.3 TERBANI GARDENS CRESCENT SINGAPORE - 008920          TEL: 6773 2226 FAX: 6775 3002</p>		<p>MATERIAL: N/A          FINISHING: RAL7035          THICKNESS: 1.5</p>			
SCALE	NTS	FORMAT	A3	UNIT	mm
PROJECTION					
REVISION	2	PAGE	2 of 2		